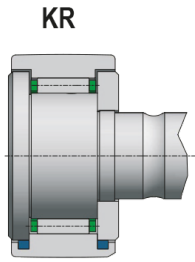
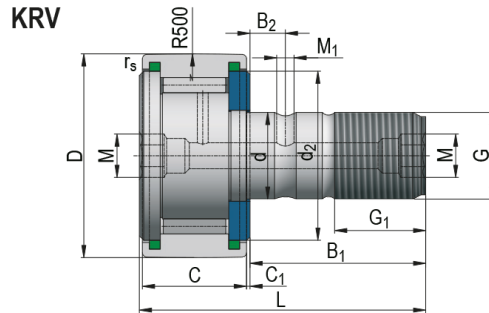


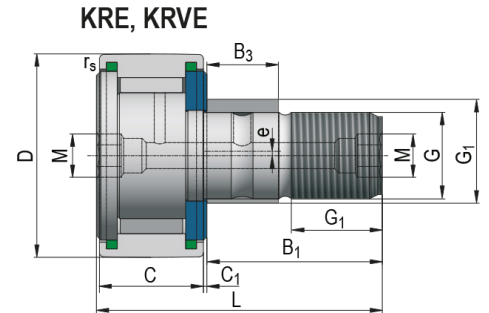
Cam followers



KR..PP



KRV..PP



KRE..PP, KRVE..PP

| | |
|---------------------|--------------------|
| Bearing Designation | KR22; KRE22 |
|---------------------|--------------------|

Dimensions (mm)

| | | | |
|--------------------------|-------|-------------------------|-------|
| D | 22 | B | 36 |
| d | 10 | B₁ | 23,00 |
| C | 12 | B₂ | - |
| r_{s min} | 0,30 | B₃ | 10 |
| G | M10x1 | C₁ | 0,6 |
| G₁ | 12 | d₂ | 17 |
| M | 4 | d_{1 h9} | 13 |
| M₁ | - | e | 0,5 |

Basic Load Rating (kN)

| | |
|----------------------|------|
| C | 5,70 |
| C₀ | 6,50 |

Limiting Speed for Lubrication (min⁻¹)

| | |
|------------|-------|
| Oil | 16000 |
|------------|-------|

Weight (g)

| | |
|--------------|-------|
| KR22 | 44,00 |
| KRE22 | 48,30 |