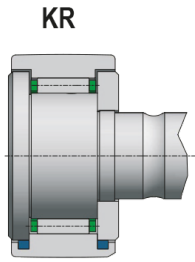
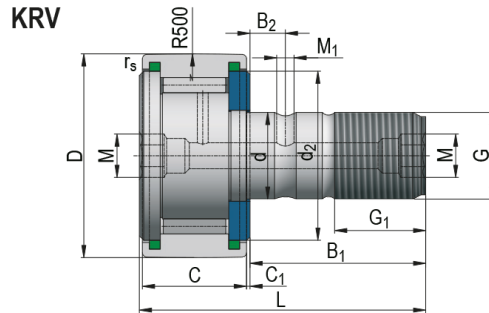


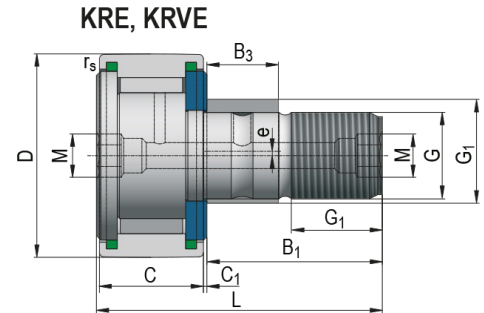
# Cam followers



KR..PP



KRV..PP



KRE..PP, KRVE..PP

Bearing Designation **KRV19PP; KRVE19PP**

## Dimensions (mm)

D	19
d	8
C	11
r <sub>s min</sub>	0,15
G	M8
G <sub>1</sub>	10
M	4
M <sub>1</sub>	-

B	32
B <sub>1</sub>	20,00
B <sub>2</sub>	-
B <sub>3</sub>	9
C <sub>1</sub>	0,6
d <sub>2</sub>	14
d <sub>1 h9</sub>	11
e	0,5

## Basic Load Rating (kN)

C	7,30
C <sub>0</sub>	10,80

## Limiting Speed for Lubrication (min<sup>-1</sup>)

Oil	7000
-----	------

## Weight (g)

KRV19PP	32,00
KRVE19PP	35,20