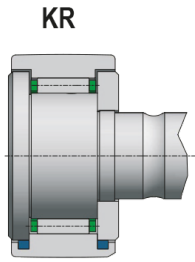
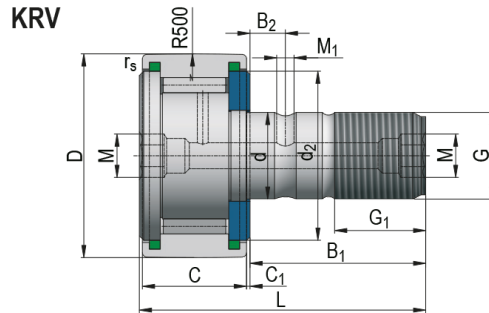


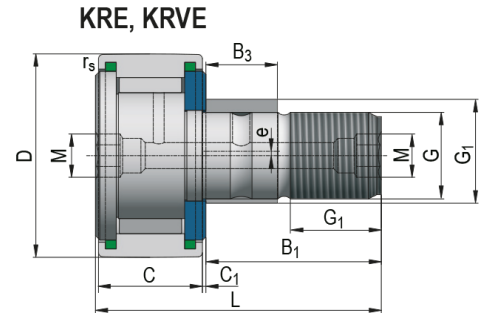
Cam followers



KR..PP



KRV..PP



KRE..PP, KRVE..PP

Bearing Designation	KRV19; KRVE19
---------------------	---------------

Dimensions (mm)

D	19	B	32
d	8	B ₁	20,00
C	11	B ₂	-
r _{s min}	0,15	B ₃	9
G	M8	C ₁	0,6
G ₁	10	d ₂	14
M	4	d _{1 h9}	11
M ₁	-	e	0,5

Basic Load Rating (kN)

C	7,30
C ₀	10,80

Limiting Speed for Lubrication (min⁻¹)

Oil	7000
-----	------

Weight (g)

KRV19	32,00
KRVE19	35,20