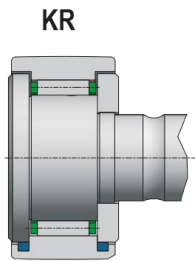
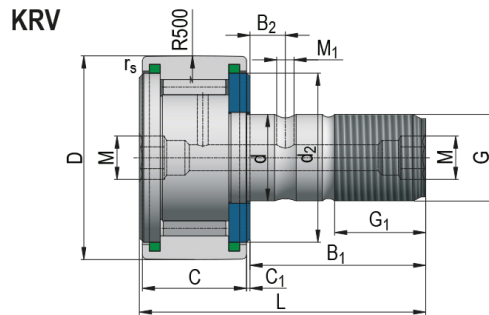


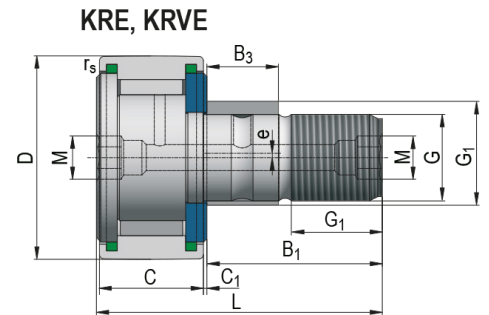
Cam followers



KR..PP



KRV..PP



KRE..PP, KRVE..PP

Bearing Designation	KR19PP; KRE19PP
---------------------	------------------------

Dimensions (mm)

D	19	B	32
d	8	B₁	20,00
C	11	B₂	-
r_{s min}	0,15	B₃	9
G	M8	C₁	0,6
G₁	10	d₂	14
M	4	d_{1 h9}	11
M₁	-	e	0,5

Basic Load Rating (kN)

C	4,25
C₀	4,60

Limiting Speed for Lubrication (min⁻¹)

Oil	14000
------------	-------

Weight (g)

KR19PP	28,00
KRE19PP	31,20