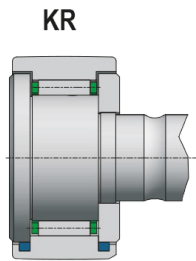
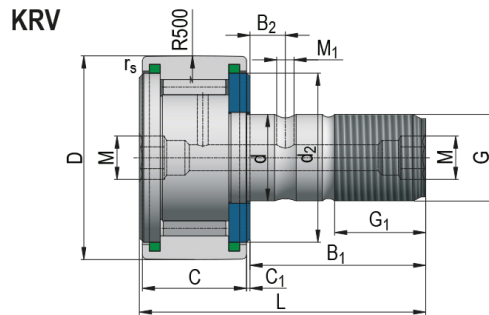


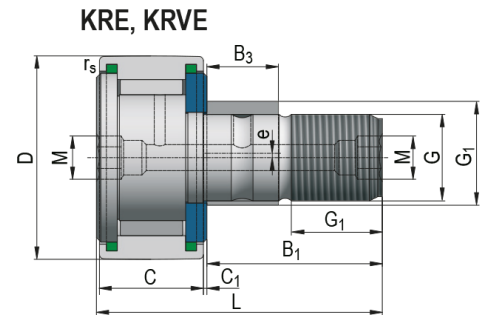
# Cam followers



KR..PP



KRV..PP



KRE..PP, KRVE..PP

Bearing Designation	<b>KR19; KRE19</b>
---------------------	--------------------

## Dimensions (mm)

<b>D</b>	19	<b>B</b>	32
<b>d</b>	8	<b>B<sub>1</sub></b>	20,00
<b>C</b>	11	<b>B<sub>2</sub></b>	-
<b>r<sub>s min</sub></b>	0,15	<b>B<sub>3</sub></b>	9
<b>G</b>	M8	<b>C<sub>1</sub></b>	0,6
<b>G<sub>1</sub></b>	10	<b>d<sub>2</sub></b>	14
<b>M</b>	4	<b>d<sub>1 h9</sub></b>	11
<b>M<sub>1</sub></b>	-	<b>e</b>	0,5

## Basic Load Rating (kN)

<b>C</b>	4,25
<b>C<sub>0</sub></b>	4,60

## Limiting Speed for Lubrication (min<sup>-1</sup>)

<b>Oil</b>	20000
------------	-------

## Weight (g)

<b>KR19</b>	28,00
<b>KRE19</b>	31,20