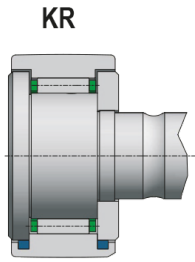
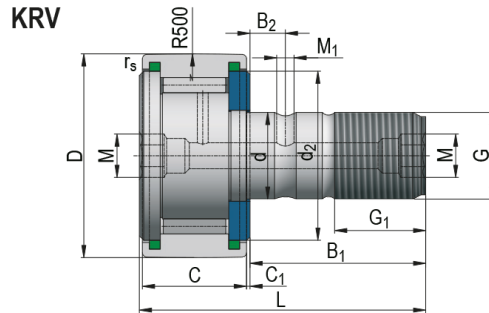


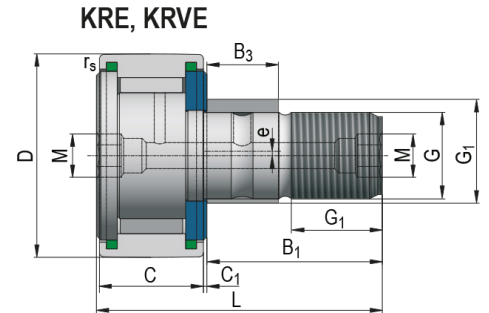
Cam followers



KR..PP



KRV..PP



KRE..PP, KRVE..PP

Bearing Designation **KRV30PP; KRVE30PP**

Dimensions (mm)

D	30	B	40
d	12	B ₁	25,00
C	14	B ₂	6
r _{s min}	0,60	B ₃	11
G	M12x1,5	C ₁	0,6
G ₁	13	d ₂	23
M	6	d _{1 h9}	15
M ₁	3	e	0,5

Basic Load Rating (kN)

C	12,20
C ₀	19,00

Limiting Speed for Lubrication (min⁻¹)

Oil	4500
-----	------

Weight (g)

KRV30PP	89,00
KRVE30PP	94,50