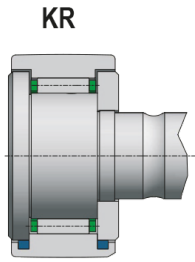
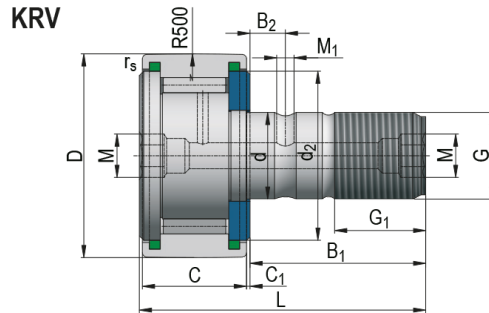


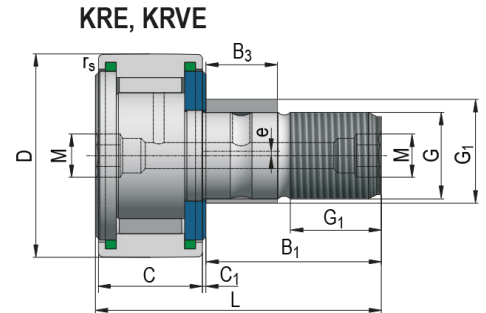
Cam followers



KR..PP



KRV..PP



KRE..PP, KRVE..PP

Bearing Designation	KR16PP; KRE16PP
---------------------	-----------------

Dimensions (mm)

D	16	B	28
d	6	B ₁	16,00
C	11	B ₂	-
r _{s min}	0,15	B ₃	7
G	M6	C ₁	0,6
G ₁	8	d ₂	12
M	4	d _{1 h9}	9
M ₁	-	e	0,5

Basic Load Rating (kN)

C	3,80
C ₀	3,75

Limiting Speed for Lubrication (min⁻¹)

Oil	16000
-----	-------

Weight (g)

KR16PP	18,00
KRE16PP	20,00