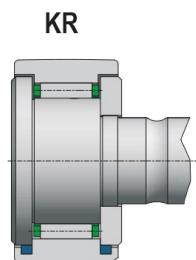
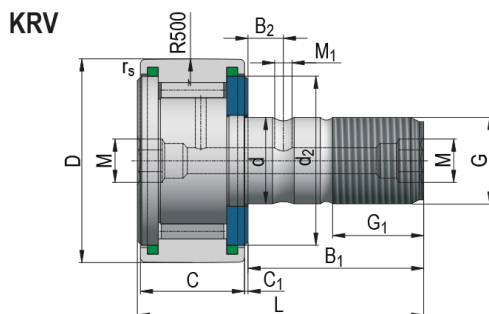


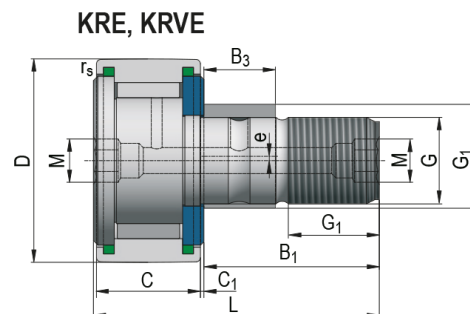
Cam followers



KR..PP



KRV..PP



KRE..PP, KRVE..PP

Bearing Designation **KRV30; KRVE30**

Dimensions (mm)

D	30
d	12
C	14
r _{s min}	0,60
G	M12x1,5
G ₁	13
M	6
M ₁	3

B	40
B ₁	25,00
B ₂	6
B ₃	11
C ₁	0,6
d ₂	23
d _{1 h9}	15
e	0,5

Basic Load Rating (kN)

C	12,20
C ₀	19,00

Limiting Speed for Lubrication (min⁻¹)

Oil	4500
-----	------

Weight (g)

KRV30	89,00
KRVE30	94,50