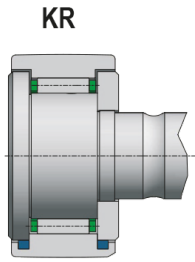
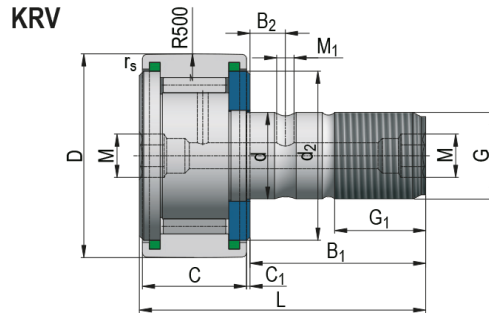


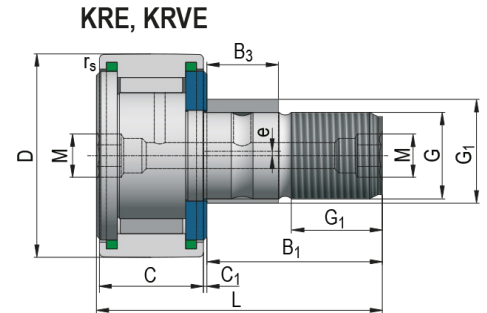
Cam followers



KR..PP



KRV..PP



KRE..PP, KRVE..PP

Bearing Designation	KR30; KRE30
---------------------	--------------------

Dimensions (mm)

D	30	B	40
d	12	B₁	25,00
C	14	B₂	6
r_{s min}	0,60	B₃	11
G	M12x1,5	C₁	0,6
G₁	13	d₂	23
M	6	d_{1 h9}	15
M₁	3	e	0,5

Basic Load Rating (kN)

C	8,10
C₀	9,70

Limiting Speed for Lubrication (min⁻¹)

Oil	11000
------------	-------

Weight (g)

KR30	87,00
KRE30	92,50