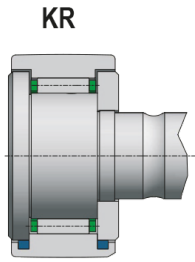
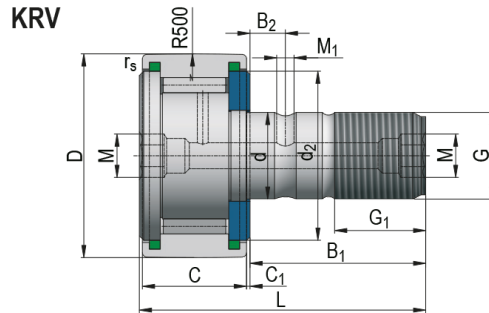


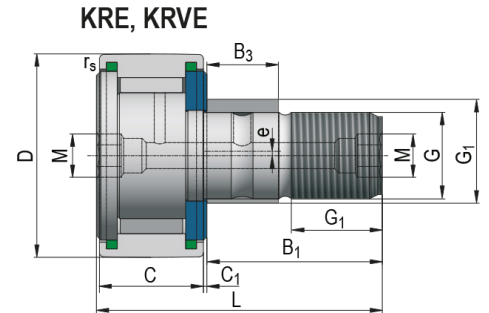
# Cam followers



KR..PP



KRV..PP



KRE..PP, KRVE..PP

Bearing Designation	<b>KR26PP; KRE26PP</b>
---------------------	------------------------

## Dimensions (mm)

<b>D</b>	26	<b>B</b>	36
<b>d</b>	10	<b>B<sub>1</sub></b>	23,00
<b>C</b>	12	<b>B<sub>2</sub></b>	-
<b>r<sub>s min</sub></b>	0,30	<b>B<sub>3</sub></b>	10
<b>G</b>	M10x1	<b>C<sub>1</sub></b>	0,6
<b>G<sub>1</sub></b>	12	<b>d<sub>2</sub></b>	17
<b>M</b>	4	<b>d<sub>1 h9</sub></b>	13
<b>M<sub>1</sub></b>	3	<b>e</b>	0,5

## Basic Load Rating (kN)

<b>C</b>	5,70
<b>C<sub>0</sub></b>	6,50

## Limiting Speed for Lubrication (min<sup>-1</sup>)

<b>Oil</b>	11000
------------	-------

## Weight (g)

<b>KR26PP</b>	58,00
<b>KRE26PP</b>	62,30