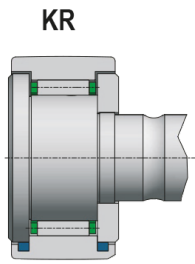
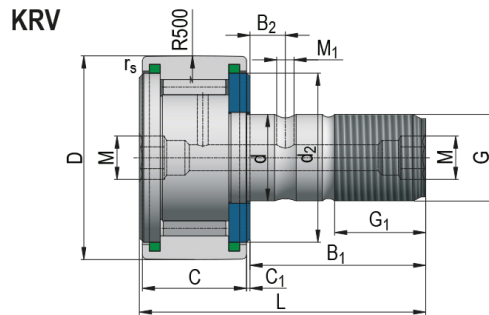


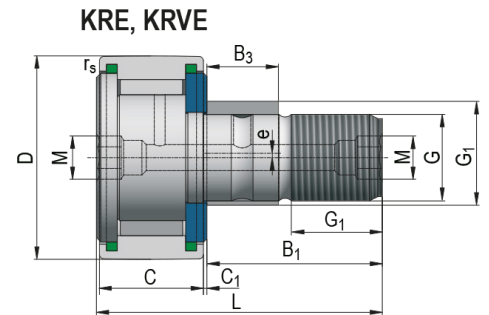
Cam followers



KR..PP



KRV..PP



KRE..PP, KRVE..PP

Bearing Designation	KR26; KRE26
---------------------	--------------------

Dimensions (mm)

D	26	B	36
d	10	B₁	23,00
C	12	B₂	-
r_{s min}	0,30	B₃	10
G	M10x1	C₁	0,6
G₁	12	d₂	17
M	4	d_{1 h9}	13
M₁	3	e	0,5

Basic Load Rating (kN)

C	5,70
C₀	6,50

Limiting Speed for Lubrication (min⁻¹)

Oil	16000
------------	-------

Weight (g)

KR26	58,00
KRE26	62,30