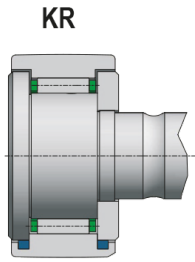
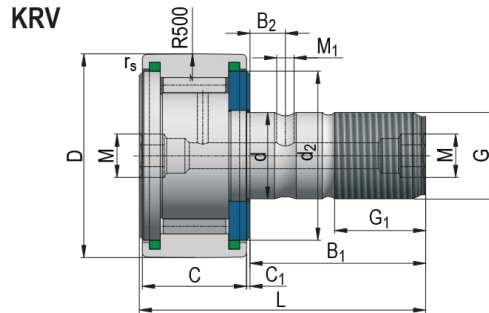


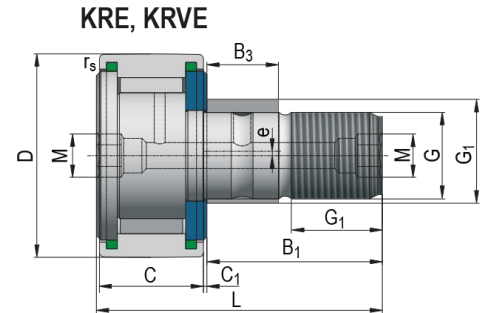
Cam followers



KR..PP



KRV..PP



KRE..PP, KRVE..PP

Bearing Designation **KRV22PP; KRVE22PP**

Dimensions (mm)

D	22	B	36
d	10	B ₁	23,00
C	12	B ₂	-
r _{s min}	0,30	B ₃	10
G	M10x1	C ₁	0,6
G ₁	12	d ₂	17
M	4	d _{1 h9}	13
M ₁	-	e	0,5

Basic Load Rating (kN)

C	8,60
C ₀	12,90

Limiting Speed for Lubrication (min⁻¹)

Oil	6000
-----	------

Weight (g)

KRV22PP	45,00
KRVE22PP	49,30