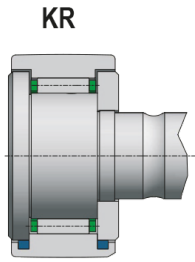
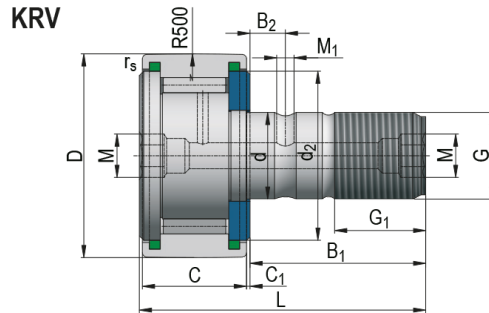


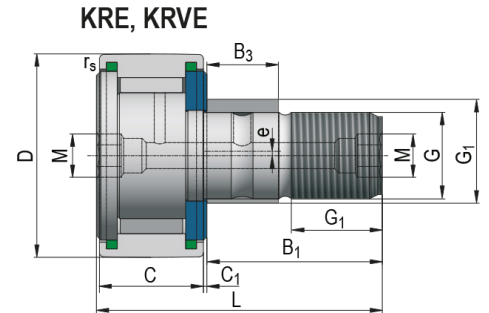
# Cam followers



KR..PP



KRV..PP



KRE..PP, KRVE..PP

Bearing Designation **KRV22; KRVE22**

## Dimensions (mm)

D	22	B	36
d	10	B <sub>1</sub>	23,00
C	12	B <sub>2</sub>	-
r <sub>s min</sub>	0,30	B <sub>3</sub>	10
G	M10x1	C <sub>1</sub>	0,6
G <sub>1</sub>	12	d <sub>2</sub>	17
M	4	d <sub>1 h9</sub>	13
M <sub>1</sub>	-	e	0,5

## Basic Load Rating (kN)

C	8,60
C <sub>0</sub>	12,90

## Limiting Speed for Lubrication (min<sup>-1</sup>)

Oil	6000
-----	------

## Weight (g)

KRV22	45,00
KRVE22	49,30