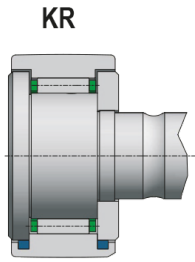
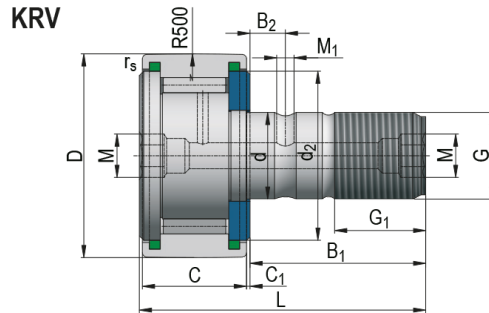


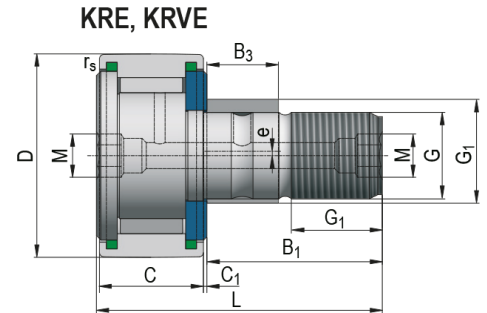
Cam followers



KR..PP



KRV..PP



KRE..PP, KRVE..PP

Bearing Designation	KR16; KRE16
---------------------	--------------------

Dimensions (mm)

D	16	B	28
d	6	B₁	16,00
C	11	B₂	-
r_{s min}	0,15	B₃	7
G	M6	C₁	0,6
G₁	8	d₂	12
M	4	d_{1 h9}	9
M₁	-	e	0,5

Basic Load Rating (kN)

C	3,80
C₀	3,75

Limiting Speed for Lubrication (min⁻¹)

Oil	22000
------------	-------

Weight (g)

KR16	18,00
KRE16	20,00