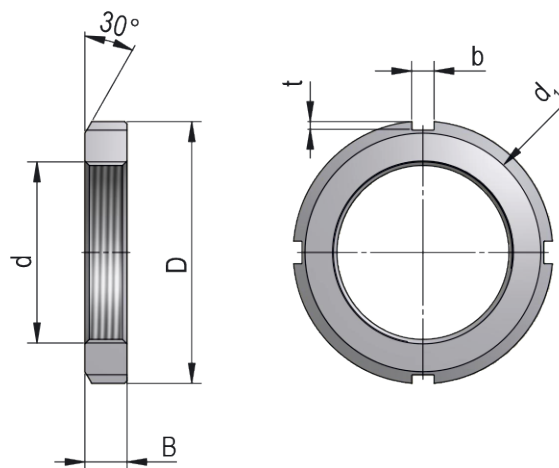


Ending nuts



Sleeve Designation **KM4**

Appropriate Components

Locking Washer **MB4**

Dimensions (mm)

d	M20x1
d ₁	26
D	32
B	6
b	4
t	2
	-

Weight [kg] 0,020