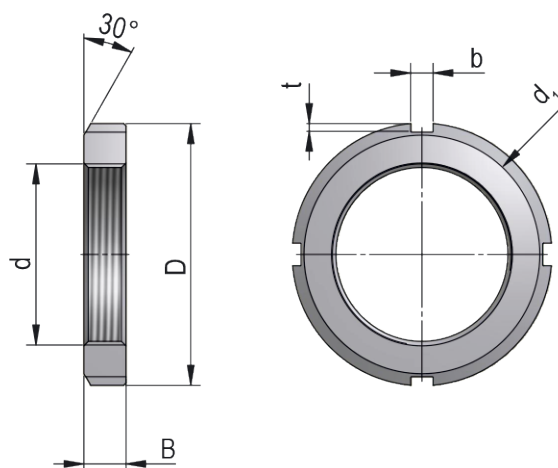


# Ending nuts



Sleeve Designation

**KM3**

Appropriate Components

Locking Washer

**MB3**

## Dimensions (mm)

|                |       |
|----------------|-------|
| d              | M17x1 |
| d <sub>1</sub> | 24    |
| D              | 28    |
| B              | 5     |
| b              | 4     |
| t              | 2     |
|                | -     |

Weight [kg]

0,012