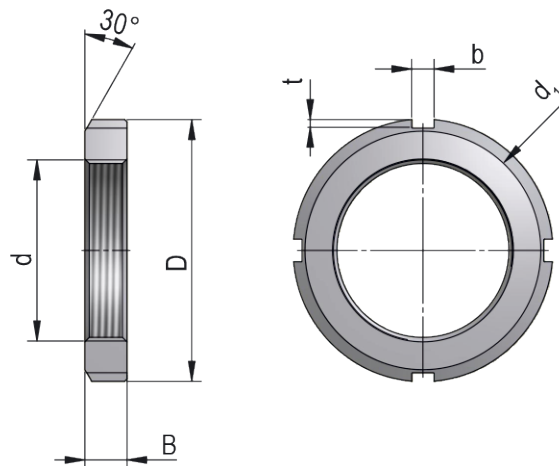


Ending nuts



Sleeve Designation

KM16

Appropriate Components

Locking Washer

MB16

Dimensions (mm)

d	M80x2
d ₁	95
D	105
B	15
b	8
t	3,5
	-

Weight [kg]

0,405