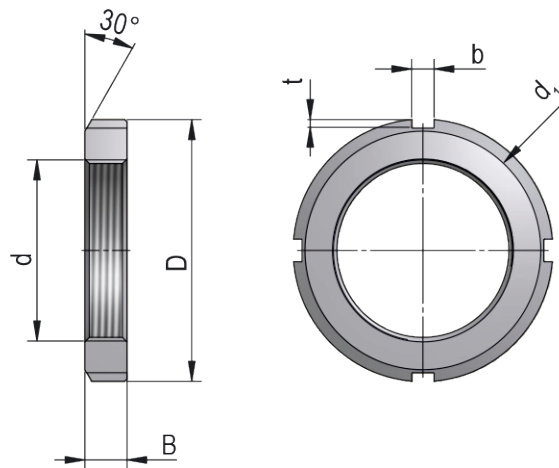


Ending nuts



Sleeve Designation **KM15**

Appropriate Components

Locking Washer **MB15**

Dimensions (mm)

d	M75x2
d ₁	90
D	98
B	13
b	8
t	3,5
	-

Weight [kg] 0,300