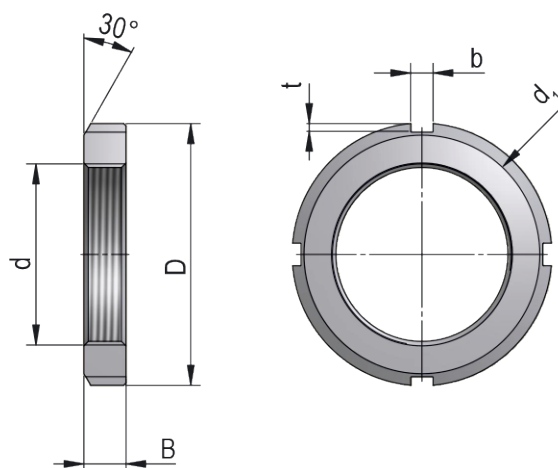


# Ending nuts



Sleeve Designation

**KM11**

Appropriate Components

Locking Washer

**MB11**

## Dimensions (mm)

d	M55x2
d <sub>1</sub>	67
D	75
B	11
b	7
t	3
	-

Weight [kg]

0,160