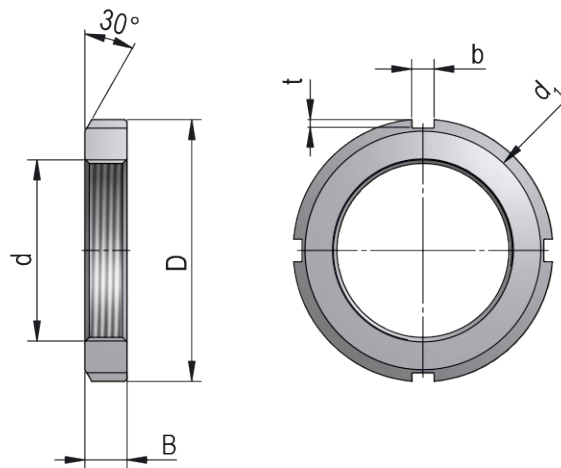


# Ending nuts



**Sleeve Designation** **KM2**

**Appropriate Components**

**Locking Washer** **MB2**

## Dimensions (mm)

|                |       |
|----------------|-------|
| d              | M15x1 |
| d <sub>1</sub> | 21    |
| D              | 25    |
| B              | 5     |
| b              | 4     |
| t              | 2     |
|                | -     |

**Weight [kg]** 0,012