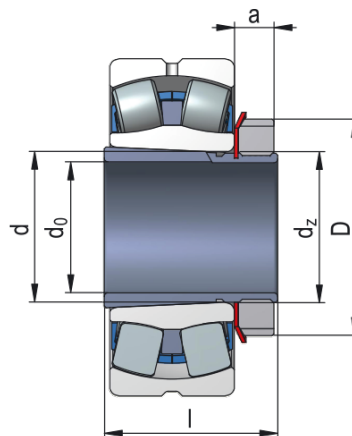


# Adapter sleeves



<b>Sleeve Designation</b>	<b>H2305</b>
---------------------------	--------------

<b>Appropriate Components</b>	
<b>Nut</b>	<b>KM5</b>
<b>Washer</b>	<b>MB5</b>

## Dimensions (mm)

$d_0$	20
$d$	25
$D$	38
$l$	35
$a$	8
$a_1$	-
$d_z$	M25x1,5
$d_{z1}$	-

<b>Weight [kg]</b>	0,085
--------------------	-------