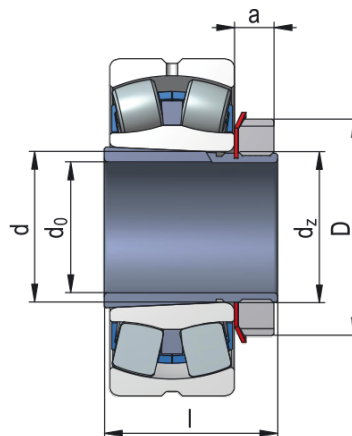


Adapter sleeves



Sleeve Designation	H305
---------------------------	-------------

Appropriate Components	
Nut	KM5
Washer	MB5

Dimensions (mm)

d_0	20
d	25
D	38
l	29
a	8
a_1	-
d_z	M25x1,5
d_{z1}	-

Weight [kg]	0,071
--------------------	-------