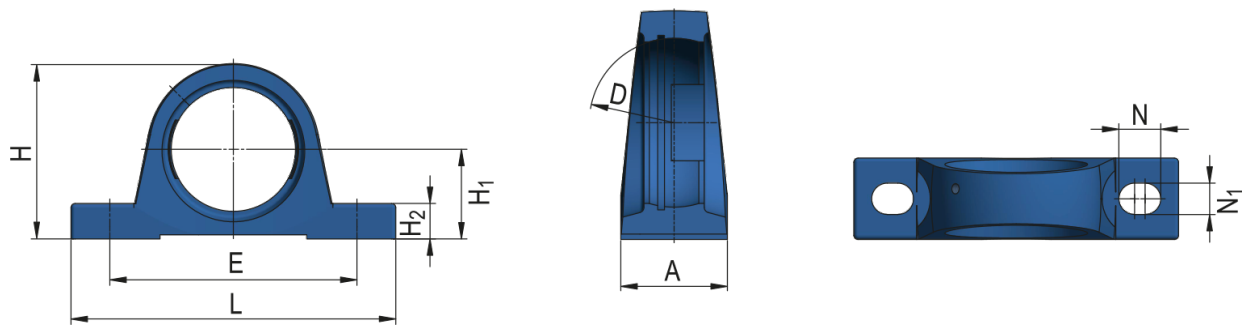


# Pillow Block Housing Unit - SG type



Housing Unit Designation

SG207; SGC207

## Dimensions (mm)

A	47
D	72
E	127
L	167
H	92
H <sub>1</sub>	47,6
H <sub>2</sub>	18
N	21
N <sub>1</sub>	17

Weight [kg]

0,950