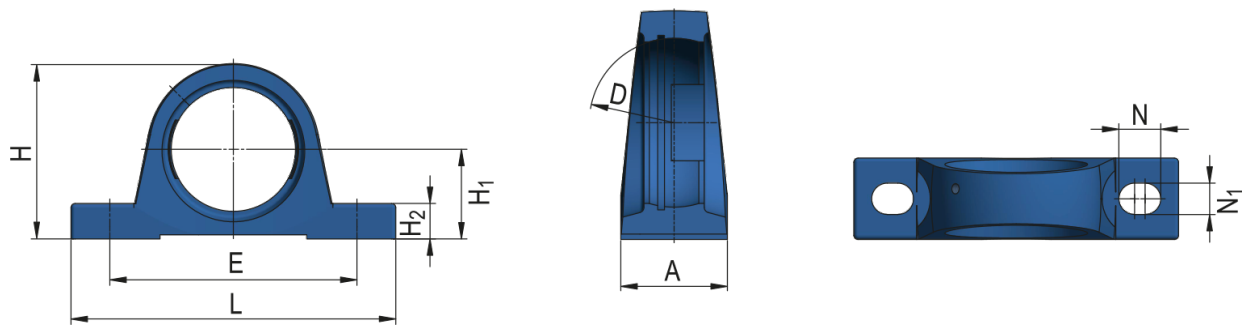


# Pillow Block Housing Unit - SG type



Housing Unit Designation

SG205; SGC205

## Dimensions (mm)

A	38
D	52
E	105
L	140
H	69,5
H <sub>1</sub>	36,5
H <sub>2</sub>	15
N	19
N <sub>1</sub>	13

Weight [kg]

0,565