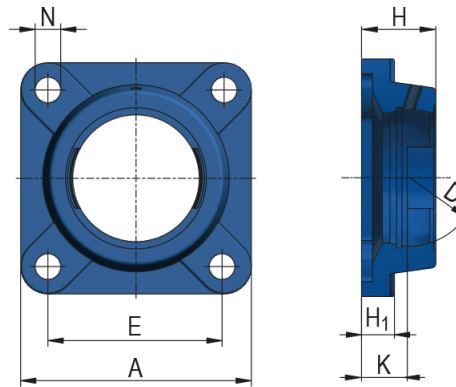


# Square Flanged Housing Unit - FG type



Housing Unit Designation ;

## Dimensions (mm)

A	
D	
E	
H	
H <sub>1</sub>	
N	
K	
Weight [kg]	