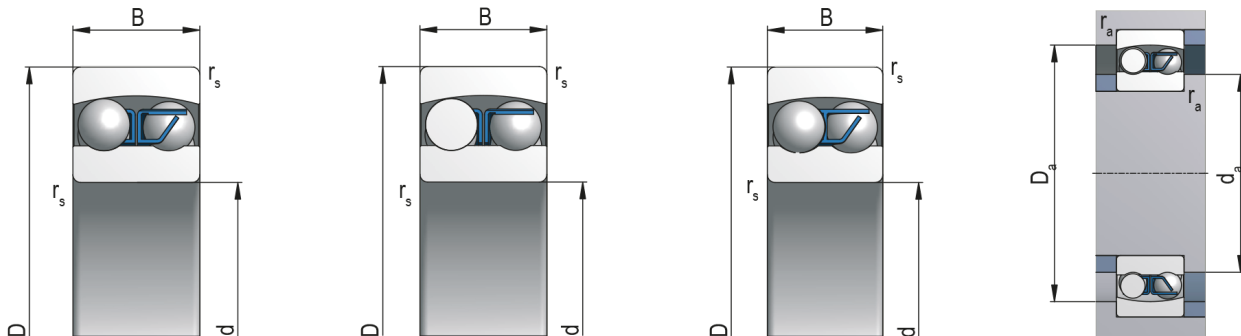


# Double row self-aligning ball bearings



|                     |       |                       |
|---------------------|-------|-----------------------|
| Bearing Designation | 1205  | - Cylindrical Bore    |
|                     | 1205K | - Tapered Bore (1:12) |
|                     |       | - 2RS                 |

## Dimensions (mm)

|                    |    |
|--------------------|----|
| d                  | 25 |
| D                  | 52 |
| B                  | 15 |
| r <sub>s</sub> min | 1  |

## Abutment and Fillet Dimensions (mm)

|                    |    |
|--------------------|----|
| d <sub>a</sub> min | 30 |
| D <sub>a</sub> max | 47 |
| r <sub>a</sub> max | 1  |

## Basic Load Rating (kN)

|                |       |
|----------------|-------|
| C              | 12,03 |
| C <sub>0</sub> | 3,28  |

## Limiting Speed for Lubrication (min )

|        |       |
|--------|-------|
| Grease | 12600 |
| Olej   | 15000 |

|                 |       |
|-----------------|-------|
| Weight [kg]     | 0,139 |
| Adapter Sleeve  | H205  |
| Weight - K [kg] | 0,136 |

## Coefficients

|                |      |
|----------------|------|
| e              | 0,27 |
| Y <sub>1</sub> | 2,3  |
| Y <sub>2</sub> | 3,6  |
| Y <sub>0</sub> | 2,4  |

## Tolerance Class

| Tolerance Class | Inner Ring       |     |                 |     |       |           |          |               |      |          |
|-----------------|------------------|-----|-----------------|-----|-------|-----------|----------|---------------|------|----------|
|                 | Cylindrical Bore |     |                 |     |       |           |          |               |      |          |
|                 | $\Delta_{dmp}$   |     | $V_{dp}$        |     |       | $V_{dmp}$ | $K_{ia}$ | $\Delta_{BS}$ |      | $V_{BS}$ |
|                 |                  |     | Diameter Series |     |       |           |          |               |      |          |
|                 |                  |     | 7,8,9           | 0,1 | 2,3,4 |           |          |               |      |          |
| max             | min              | max | max             | max | max   | max       | min      | max           |      |          |
| $\mu m$         |                  |     |                 |     |       |           |          |               |      |          |
| P0              | 0                | -10 | 13              | 10  | 8     | 8         | 13       | 0             | -120 | 20       |
| P6              | 0                | -8  | 10              | 8   | 6     | 6         | 8        | 0             | -120 | 20       |

| Tolerance Class | Inner Ring        |   |                                |   |               |                   |   |                                |   |               |     |     |     |     |     |
|-----------------|-------------------|---|--------------------------------|---|---------------|-------------------|---|--------------------------------|---|---------------|-----|-----|-----|-----|-----|
|                 | Tapered Bore 1:12 |   |                                |   |               | Tapered Bore 1:30 |   |                                |   |               |     |     |     |     |     |
|                 | $\Delta_{dmp}$    |   | $\Delta_{d1mp} - \Delta_{dmp}$ |   | $V_{dp}^{1)}$ | $\Delta_{dmp}$    |   | $\Delta_{d1mp} - \Delta_{dmp}$ |   | $V_{dp}^{1)}$ |     |     |     |     |     |
|                 |                   |   |                                |   |               |                   |   |                                |   |               | max | min | max | min | max |
|                 |                   |   |                                |   |               |                   |   |                                |   |               | max | min | max | min | max |
| $\mu m$         |                   |   |                                |   |               |                   |   |                                |   |               |     |     |     |     |     |
| P0 = P6         | 21                | 0 | 21                             | 0 | 13            | -                 | - | -                              | - | -             |     |     |     |     |     |

| Tolerance Class | Outer Ring     |     |                 |     |       |                                      |           |          |   |  |
|-----------------|----------------|-----|-----------------|-----|-------|--------------------------------------|-----------|----------|---|--|
|                 | $\Delta_{Dmp}$ |     | $V_{Dp}$        |     |       | bearings <sup>2)</sup><br>with seals | $V_{Dmp}$ | $K_{ea}$ | $\Delta_{CS}, V_{CS}$   |  |
|                 |                |     | Diameter Series |     |       |                                      |           |          |   |  |
|                 |                |     | 7,8,9           | 0,1 | 2,3,4 |                                      |           |          |   |  |
|                 | max            | min | max             | max | max   | max                                  | max       |          |   |  |
| $\mu m$         |                |     |                 |     |       |                                      |           |          |   |  |
| P0              | 0              | -13 | 16              | 13  | 10    | 20                                   | 10        | 25       | Corresponds to $\Delta_{BS}, V_{BS}$<br>of the same bearing<br>inner ring |  |
| P6              | 0              | -11 | 14              | 11  | 8     | 16                                   | 8         | 13       |   |  |

1) Valid in any bore radial plane

2) P0 - Valid only for bearings in diameter series 2, 3 and 4 \* P6 - Valid only for bearings in diameter series 0, 1, 2, 3 and 4

## Radial Clearance - Cylindrical Bore

| C2      |     | normal |     | C3  |     | C4  |     | C5  |     |
|---------|-----|--------|-----|-----|-----|-----|-----|-----|-----|
| min     | max | min    | max | min | max | min | max | min | max |
| $\mu m$ |     |        |     |     |     |     |     |     |     |
| 5       | 16  | 11     | 24  | 19  | 35  | 29  | 46  | 40  | 58  |

## Radial Clearance - Tapered Bore

| C2      |     | normal |     | C3  |     | C4  |     | C5  |     |
|---------|-----|--------|-----|-----|-----|-----|-----|-----|-----|
| min     | max | min    | max | min | max | min | max | min | max |
| $\mu m$ |     |        |     |     |     |     |     |     |     |
| 9       | 20  | 15     | 28  | 23  | 39  | 33  | 50  | 44  | 62  |

## Tolerance Symbols and Their Meaning

|                 |  |                |   |
|-----------------|--|----------------|---|
| $d$             | nominal bore diameter  | $H_4$          | rated height of spherical-roller bearing  |
| $d_1$           | nominal diameter of larger theoretical tapered bore diameter   | $\Delta_{Bs}$  | inner ring single width deviation   |
| $d_2$           | nominal diameter of the shaft washer of double direction thrust bearings   | $\Delta_{Cs}$  | outer ring single width deviation   |
| $\Delta_{ds}$   | deviation of single bore diameter from nominal   | $\Delta_{Ts}$  | bearing single width deviation (total)  |
| $\Delta_{dmp}$  | mean cylindrical bore diameter deviation in single radial plane (for tapered bore $\Delta_{dmp}$ is valid for theoretical bore diameter) | $\Delta_{T1s}$ | cone sub-unit effective width deviation   |
| $\Delta_{d1mp}$ | deviation of mean larger theoretical diameter of tapered bore  | $\Delta_{T2s}$ | cup sub-unit effective width deviation  |
| $\Delta_{d2mp}$ | mean shaft washer bore diameter deviation of double direction thrust bearings in single radial plane                                     | $\Delta_{Hs}$  | height deviation of single direction axial bearings from nominal value                                  |
| $V_{dp}$        | single bore diameter variation in single radial plane  | $\Delta_{H1s}$ | height deviation of single direction axial ball bearings with sphered housing washer from nominal value |
| $V_{dmp}$       | mean cylindrical bore diameter variation   | $\Delta_{H2s}$ | height deviation of double direction axial bearings from nominal value                                  |
| $V_{d2p}$       | shaft washer bore diameter variation of double direction thrust bearings in single radial plane  | $\Delta_{H3s}$ | height deviation of double direction axial ball bearings with sphered housing washer from nominal value |
| $D$             | nominal outside diameter   | $\Delta_{H4s}$ | height deviation of axial spherical-roller bearing from the rated value                                 |
| $\Delta_{Ds}$   | deviation of single outside diameter from the nominal dimension  | $C$            | outer ring nominal width  |
| $\Delta_{Dmp}$  | mean outside cylindrical surface diameter deviation in single plane  | $V_{Bs}$       | inner ring single width variation   |
| $V_{Dp}$        | single outside cylindrical surface diameter variation in single radial plane   | $V_{Cs}$       | outer ring single width variation   |
| $V_{Dmp}$       | mean outside cylindrical surface diameter variation  | $K_{ia}$       | radial runout of assembled bearing inner ring   |
| $B$             | inner ring nominal width   | $K_{ea}$       | radial runout of assembled bearing outer ring   |
| $T$             | total nominal width of tapered roller bearings   | $S_i$          | shaft washer raceway axial runout   |
| $T_1$           | nominal effective width of cup sub-unit  | $S_e$          | housing washer raceway axial runout   |
| $T_2$           | nominal effective width of cone sub-unit   | $S_{ia}$       | inner ring flat seat face axial runout of assembled bearing   |
| $H$             | rated width of unidirectional axial bearing  | $S_{ea}$       | outer ring flat seat face axial runout of assembled bearing   |
| $H_1$           | rated height of unidirectional ball axial bearing including the body ring  | $S_d$          | flat seat face axial runout   |
| $H_2$           | rated height of bidirectional axial bearing  | $S_D$          | runout of outside cylindrical surface towards outer ring face   |
| $H_3$           | rated height of bidirectional axial ball bearing including body rings  | $S_s$          | runout of supporting face towards seat face for single row tapered roller bearings                      |